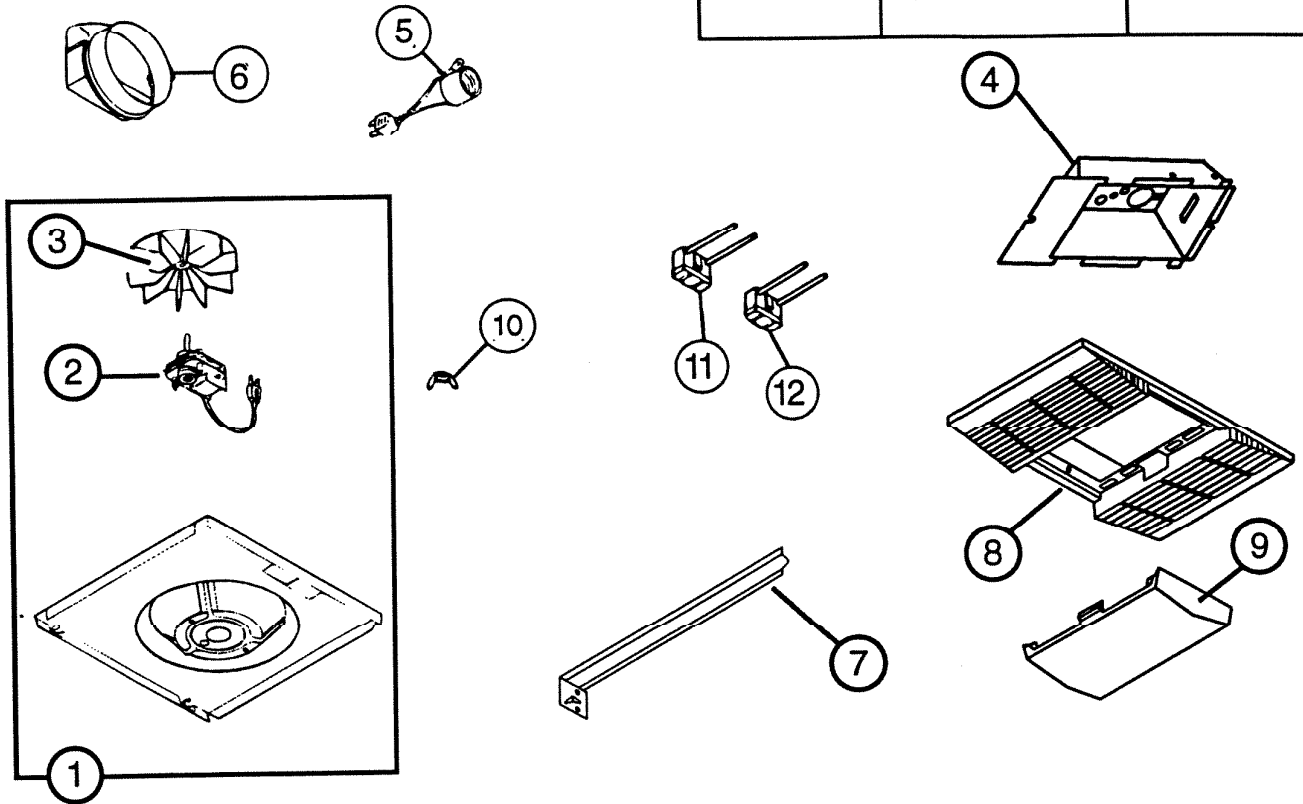


PARTS LIST

EFFECTIVE DATE	MODEL NUMBER	PRODUCT GROUP
AUGUST 1997	763RLN & 769RL	FAN



REF.	ORIGINAL PART NO.	PART DESCRIPTION	MODEL USED ON	CURRENT REPLACEMENT PART NO.
1	0503B	POWER UNIT ASSEMBLY	763RLN	0503B-000
	0504B		769RL	0504B-000
2	86677	MOTOR	763RLN	86677-000
	87547		769RL	87547-000
3	89914	BLOWER WHEEL	763RLN	89914-000
	68730		769RL	68739-000
4	89765	REFLECTOR	763RLN, 769RL	89765-000
5	88190	LAMP SOCKET	763RLN, 769RL	35758-000
6	30652	DUCT ADAPTER ASSEMBLY	763RLN, 769RL	30652-000
7	44388	HANGER BAR (1) (4 required)	763RLN, 769RL	44388-000
8	85316	GRILLE	763RLN, 769RL	85316-000
9	89108	LENS	763RLN, 769RL	89108-000
10	16133	WING NUT	763RLN, 769RL	16133-000
11	10034	FAN RECEPTACLE	763RLN, 769RL	10034-000
12	82304	LIGHT RECEPTACLE	763RLN, 769RL	82304-000

NuTone

NuTone
 Attn: Parts Department
 Madison & Red Bank Rds.
 Cincinnati, OH 45227-1599
 Phone: (513) 527-5426
 Fax: (513) 527-5173

↑
NOTE: Always order by current part number

763RLN & 769RL I.I.